

PANZERI

Hilow

24V DC 24V
A029U30.115.4610

titanium



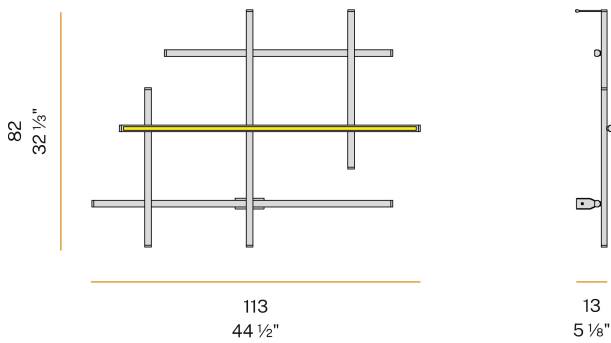
Spec sheet

| | |
|--------------------------|----------------------|
| CODE | A029U30.115.4610 |
| SYSTEM POWER CONSUMPTION | 71W |
| EFFICACY | 57.58lm/W |
| LIGHT SOURCE | LED |
| LIGHT SOURCE LIFETIME | L70 (B10) 60.000h |
| COLOUR TEMPERATURE | 3500K Ra>90 |
| LIGHT DISTRIBUTION | diffused |
| POWER SUPPLY | 24V DC |
| ELECTRICAL CONFIGURATION | 24V |
| DRIVER | remote not included |
| NOMINAL LUMINOUS FLUX | 8568lm |
| DELIVERED LUMEN OUTPUT | 4088lm |
| EFFICIENCY | 47.7% |
| WEIGHT | 4,74 lbs |
| PROTECTION DEGREE | IP20 |
| COLOUR TOLLERANCES | SDCM 3 |
| PACKING DIMENSIONS | 34,3 x 46,5 x 5,5 in |



Wall lighting fixture for interiors, with direct and indirect light emission.
Pickled sheet metal wall bracket in polyacrylic paint.
Pickled sheet metal wall plate in polyacrylic paint.
Extruded aluminium structure in white, mat black, bronze, mat brass or titanium polyacrylic paint.
Joints in turned brass and die-cast aluminium in polyacrylic paint.
Die-cast aluminium end caps in polyacrylic paint.
Extruded polycarbonate diffusers with black finish for direct light emission and opaline finish for indirect light emission.

Technical drawing



Polar diagram

