

# PANZERI

## Zero Round

120V AC 120V ON-OFF  
A153U30.025.0450

 titanium



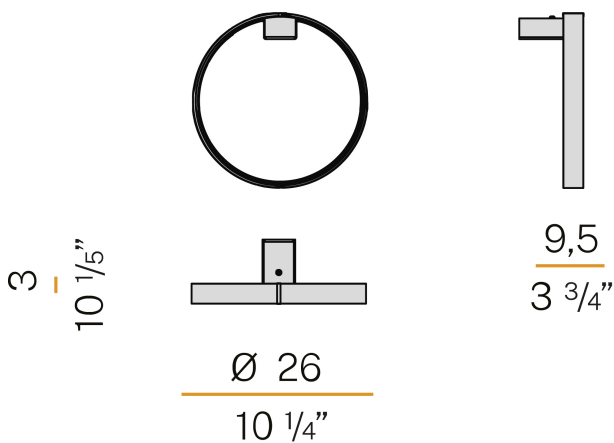
### Spec sheet

CODE	A153U30.025.0450
SYSTEM POWER CONSUMPTION	13W
EFFICACY	61.23lm/W
LIGHT SOURCE	LED
LIGHT SOURCE LIFETIME	L70 (B50) 60.000h
COLOUR TEMPERATURE	3000K Ra>90
LIGHT DISTRIBUTION	diffused
POWER SUPPLY	120V AC
FREQUENCY	60Hz
ELECTRICAL CONFIGURATION	120V ON-OFF
DRIVER	integrated included
NOMINAL LUMINOUS FLUX	1024lm
DELIVERED LUMEN OUTPUT	796lm
EFFICIENCY	77.7%
WEIGHT	1,37 lbs
PROTECTION DEGREE	IP40
COLOUR TOLLERANCES	SDCM 3
PACKING DIMENSIONS	12,2 x 12,2 x 7,9 in



Wall lighting fixture for interiors, with direct and indirect light emission.  
Pickled sheet metal wall bracket in polyacrylic paint.  
Pickled sheet metal wall plate in polyacrylic paint.  
Bended extruded aluminium structure in white, black, bronze, mat brass or titanium polyacrylic paint.  
Extruded polycarbonate diffuser with opaline finish.

### Technical drawing



### Polar diagram

