


PANZERI

Hilow

120V AC dimmable (0-10V)

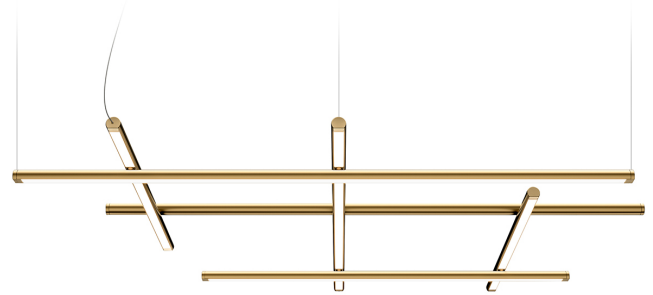
L028U19.115.0553

 mat brass



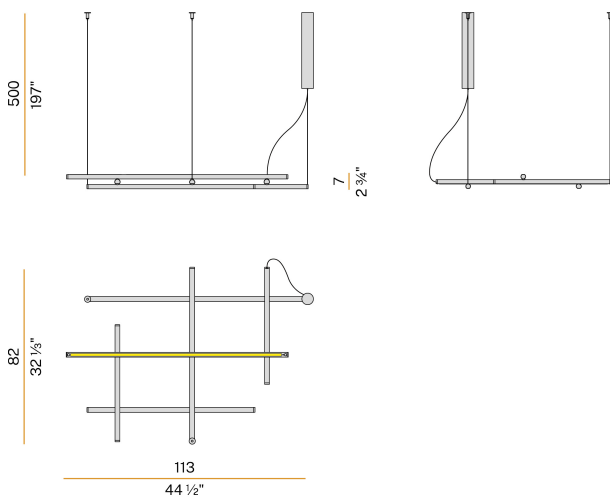
Spec sheet

CODE	L028U19.115.0553
SYSTEM POWER CONSUMPTION	80W
EFFICACY	63.06lm/W
LIGHT SOURCE	LED
LIGHT SOURCE LIFETIME	L70 (B10) 60.000h
COLOUR TEMPERATURE	2700K Ra>90
LIGHT DISTRIBUTION	diffused
POWER SUPPLY	120V AC
FREQUENCY	50/60Hz
ELECTRICAL CONFIGURATION	dimmable (0-10V)
DRIVER	integrated included
NOMINAL LUMINOUS FLUX	9072lm
DELIVERED LUMEN OUTPUT	5045lm
EFFICIENCY	55.6%
WEIGHT	6,17 lbs
PROTECTION DEGREE	IP20
COLOUR TOLLERANCES	SDCM 3
PACKING DIMENSIONS	34,3 x 46,5 x 5,5 in



Pendant lighting fixture for interiors, with direct and indirect light emission.
 Extruded aluminium structure in white, mat black, bronze, mat brass or titanium polyacrylic paint.
 Joints in turned brass and die-cast aluminium in polyacrylic paint.
 Die-

Technical drawing



Polar diagram

