

# PANZERI

## Zero Ellipse

24V DC 24V

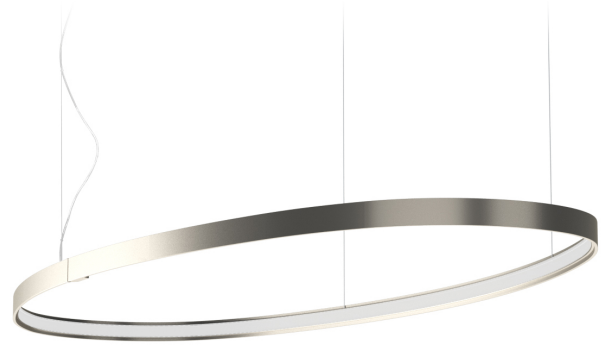
M151U30.130.0510

titanium



### Spec sheet

|                          |                      |
|--------------------------|----------------------|
| CODE                     | M151U30.130.0510     |
| SYSTEM POWER CONSUMPTION | 47W                  |
| EFFICACY                 | 86.79lm/W            |
| LIGHT SOURCE             | LED                  |
| LIGHT SOURCE LIFETIME    | L70 (B50) 60.000h    |
| COLOUR TEMPERATURE       | 2700K Ra>90          |
| LIGHT DISTRIBUTION       | diffused             |
| POWER SUPPLY             | 24V DC               |
| ELECTRICAL CONFIGURATION | 24V                  |
| DRIVER                   | remote not included  |
| NOMINAL LUMINOUS FLUX    | 5670lm               |
| DELIVERED LUMEN OUTPUT   | 4079lm               |
| EFFICIENCY               | 71.9%                |
| WEIGHT                   | 3,37 lbs             |
| PROTECTION DEGREE        | IP20                 |
| COLOUR TOLLERANCES       | SDCM 3               |
| PACKING DIMENSIONS       | 28,0 x 53,5 x 3,9 in |



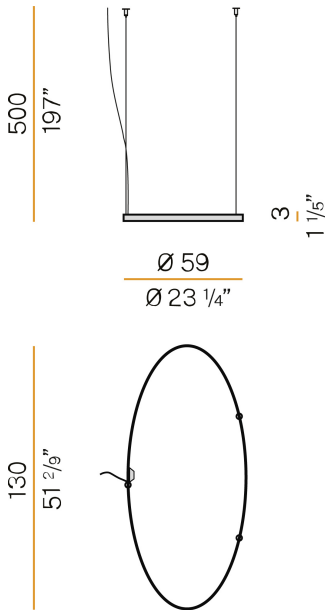
Single or multiple pendant lighting fixture for interiors, with direct and indirect light emission.

Bended extruded aluminium structure in white, black, bronze, mat brass or titanium polyacrylic paint.

Extruded polycarbonate diffuser with opaline finish



### Technical drawing



### Polar diagram

