

PANZERI

Zero Ellipse

24V DC 24V

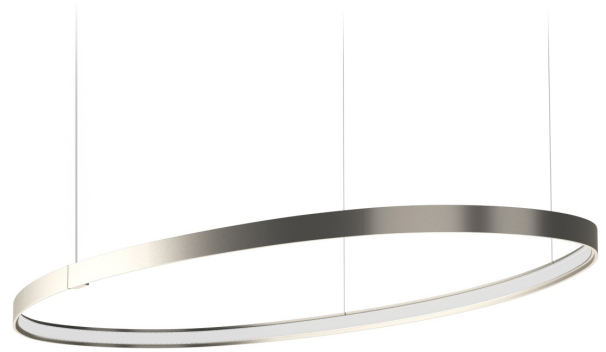
M151U30.130.4610

titanium



Spec sheet

| | |
|--------------------------|----------------------|
| CODE | M151U30.130.4610 |
| SYSTEM POWER CONSUMPTION | 47W |
| EFFICACY | 86.79lm/W |
| LIGHT SOURCE | LED |
| LIGHT SOURCE LIFETIME | L70 (B50) 60.000h |
| COLOUR TEMPERATURE | 3500K Ra>90 |
| LIGHT DISTRIBUTION | diffused |
| POWER SUPPLY | 24V DC |
| ELECTRICAL CONFIGURATION | 24V |
| DRIVER | remote not included |
| NOMINAL LUMINOUS FLUX | 5670lm |
| DELIVERED LUMEN OUTPUT | 4079lm |
| EFFICIENCY | 71.9% |
| WEIGHT | 3,37 lbs |
| PROTECTION DEGREE | IP20 |
| COLOUR TOLLERANCES | SDCM 3 |
| PACKING DIMENSIONS | 28,0 x 53,5 x 3,9 in |



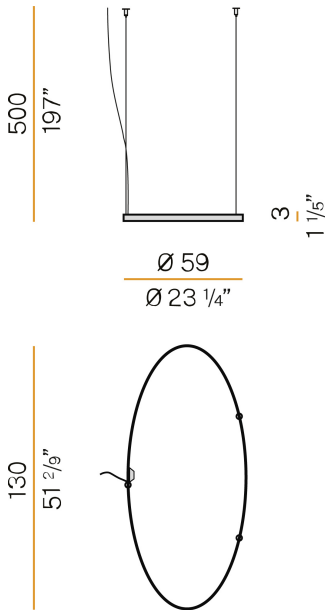
Single or multiple pendant lighting fixture for interiors, with direct and indirect light emission.

Bended extruded aluminium structure in white, black, bronze, mat brass or titanium polyacrylic paint.

Extruded polycarbonate diffuser with opaline finish



Technical drawing



Polar diagram

