

PANZERI

Zero Round

24V DC 24V

M153U02.050.4610



Spec sheet

| | |
|--------------------------|-----------------------|
| CODE | M153U02.050.4610 |
| SYSTEM POWER CONSUMPTION | 25W |
| EFFICACY | 81.56lm/W |
| LIGHT SOURCE | LED |
| LIGHT SOURCE LIFETIME | L70 (B50) 60.000h |
| COLOUR TEMPERATURE | 3500K Ra>90 |
| LIGHT DISTRIBUTION | diffused |
| POWER SUPPLY | 24V DC |
| ELECTRICAL CONFIGURATION | 24V |
| DRIVER | remote not included |
| NOMINAL LUMINOUS FLUX | 2835lm |
| DELIVERED LUMEN OUTPUT | 2039lm |
| EFFICIENCY | 71.9% |
| WEIGHT | 1,83 lbs |
| PROTECTION DEGREE | IP20 |
| COLOUR TOLLERANCES | SDCM 3 |
| PACKING DIMENSIONS | 54,7 x 54,7 x 26,0 in |

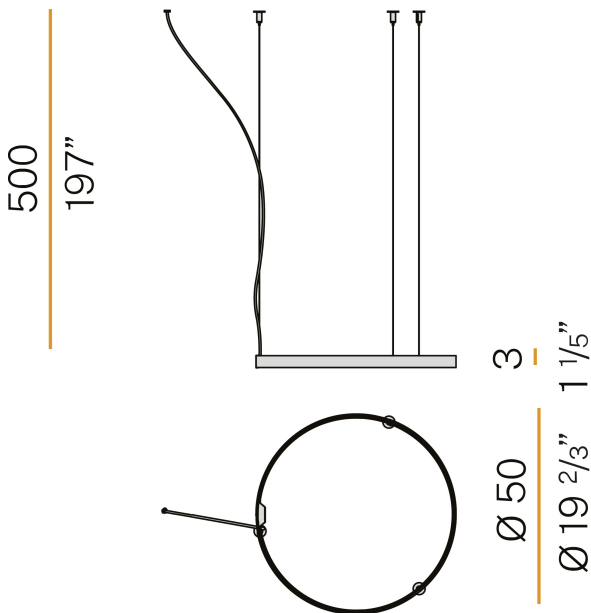


Single or multiple pendant lighting fixture for interiors, with direct and indirect light emission.

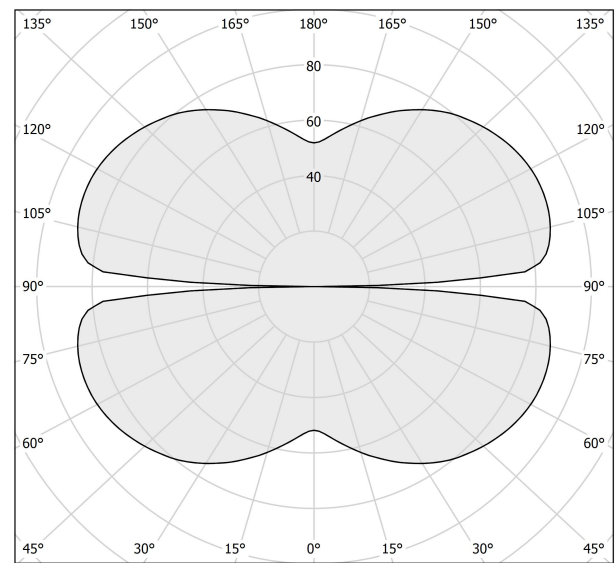
Bended extruded aluminium structure in white, black, bronze, mat brass or titanium polyacrylic paint.

Extruded polycarbonate diffuser with opaline finish

Technical drawing



Polar diagram



cd/klm
 — C0 - C180 - - - C90 - C270