


PANZERI

Zero Round

24V DC 24V

M153U30.100.4610

 titanium



Spec sheet

CODE	M153U30.100.4610
SYSTEM POWER CONSUMPTION	47W
EFFICACY	86.79lm/W
LIGHT SOURCE	LED
LIGHT SOURCE LIFETIME	L70 (B50) 60.000h
COLOUR TEMPERATURE	3500K Ra>90
LIGHT DISTRIBUTION	diffused
POWER SUPPLY	24V DC
ELECTRICAL CONFIGURATION	24V
DRIVER	remote not included
NOMINAL LUMINOUS FLUX	5670lm
DELIVERED LUMEN OUTPUT	4079lm
EFFICIENCY	71.9%
WEIGHT	3,15 lbs
PROTECTION DEGREE	IP20
COLOUR TOLLERANCES	SDCM 3
PACKING DIMENSIONS	52,4 x 52,4 x 23,6 in

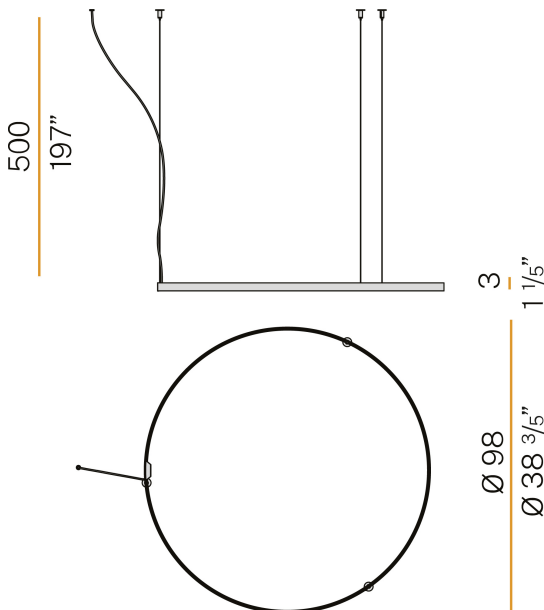


Single or multiple pendant lighting fixture for interiors, with direct and indirect light emission.

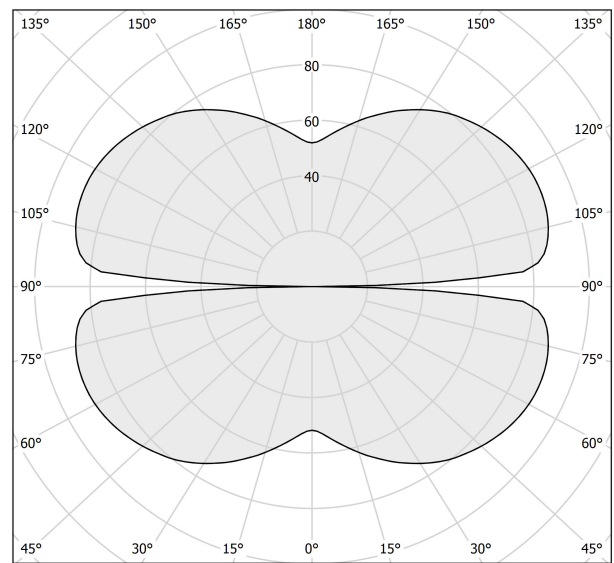
Bended extruded aluminium structure in white, black, bronze, mat brass or titanium polyacrylic paint.

Extruded polycarbonate diffuser with opaline finish

Technical drawing



Polar diagram



cd/klm
 — C0 - C180 - - - C90 - C270