

PANZERI

Zero Round

120-277V AC dimmable (0-10V)

P153U30.100.4653

titanium



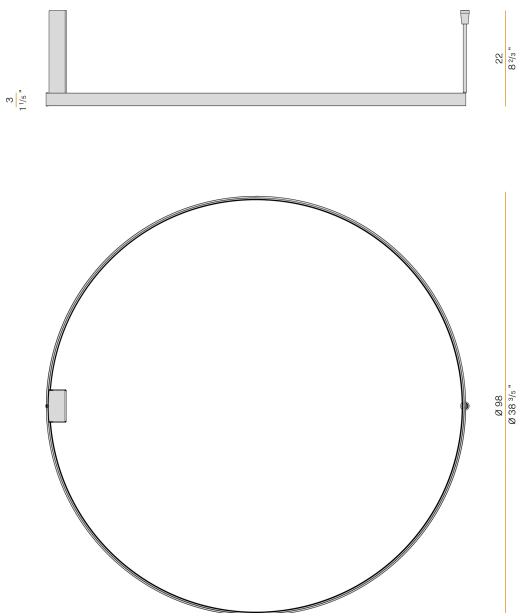
Spec sheet

| | |
|--------------------------|----------------------|
| CODE | P153U30.100.4653 |
| SYSTEM POWER CONSUMPTION | 54W |
| EFFICACY | 75.54lm/W |
| LIGHT SOURCE | LED |
| LIGHT SOURCE LIFETIME | L70 (B50) 60.000h |
| COLOUR TEMPERATURE | 3500K Ra>90 |
| LIGHT DISTRIBUTION | diffused |
| POWER SUPPLY | 120-277V AC |
| FREQUENCY | 60Hz |
| ELECTRICAL CONFIGURATION | dimmable (0-10V) |
| DRIVER | integrated included |
| NOMINAL LUMINOUS FLUX | 5670lm |
| DELIVERED LUMEN OUTPUT | 4079lm |
| EFFICIENCY | 71.9% |
| WEIGHT | 4,54 lbs |
| PROTECTION DEGREE | IP20 |
| COLOUR TOLLERANCES | SDCM 3 |
| PACKING DIMENSIONS | 42,1 x 42,1 x 4,3 in |



Ceiling or wall lighting fixture for interiors, with direct and indirect light emission.
Pickled sheet metal ceiling or wall bracket in polyacrylic paint.
Pickled sheet metal wall plate in polyacrylic paint.
Bended extruded aluminium structure in white, black, bronze, mat brass or titanium polyacrylic paint.
Extruded polycarbonate diffuser with opaline finish.

Technical drawing



Application



Polar diagram

