


PANZERI

Dip

120V AC 120V-277V dimmable (0-10V)

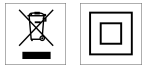
T085U28.170.0553

 textured soft white



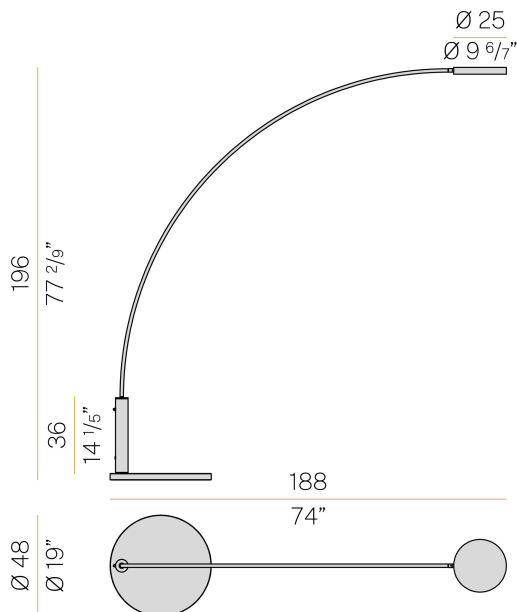
Spec sheet

CODE	T085U28.170.0553
SYSTEM POWER CONSUMPTION	18W
EFFICACY	107.28lm/W
LIGHT SOURCE	LED
COLOUR TEMPERATURE	2700K Ra>90
LIGHT DISTRIBUTION	diffused
POWER SUPPLY	120V AC
FREQUENCY	50/60Hz
ELECTRICAL CONFIGURATION	120V-277V dimmable (0-10V)
DRIVER	integrated included
NOMINAL LUMINOUS FLUX	3013lm
DELIVERED LUMEN OUTPUT	1931lm
EFFICIENCY	64.1%
WEIGHT	17,00 Kg
PROTECTION DEGREE	IP40
COLOUR TOLLERANCES	SDCM 3
PACKING DIMENSIONS	0,0 x 0,0 x 0,0 cm



Floor lighting fixture for interiors, with direct or indirect light emission.
 Bearing base in travertine.
 Calendered steel tube stem, with polyacrylic paint.
 Die-cast aluminum emitting head with polyacrylic paint in champagne, mat black and bronze finishes.
 UV technology screen-printed diffuser, made of opal polycarbonate, installed with magnetic coupling.

Technical drawing



Polar diagram

